

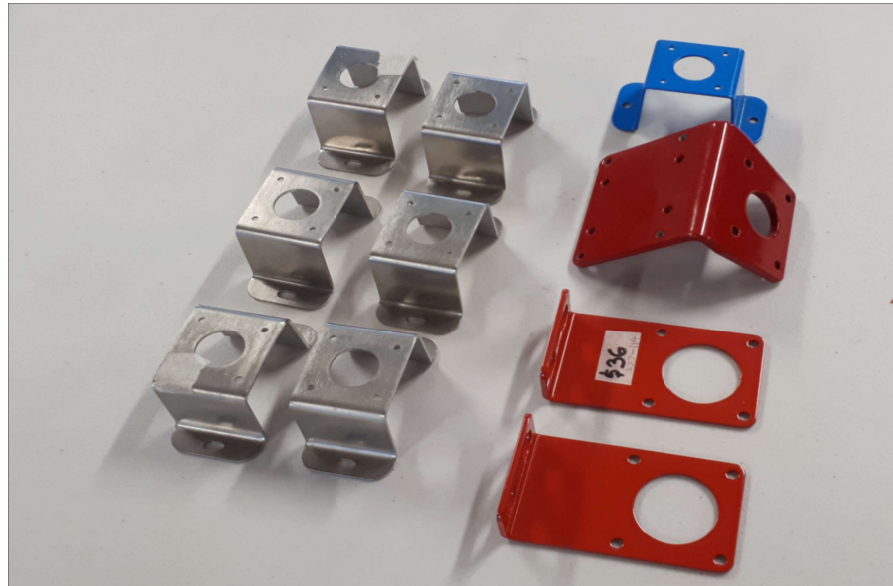
For Sale

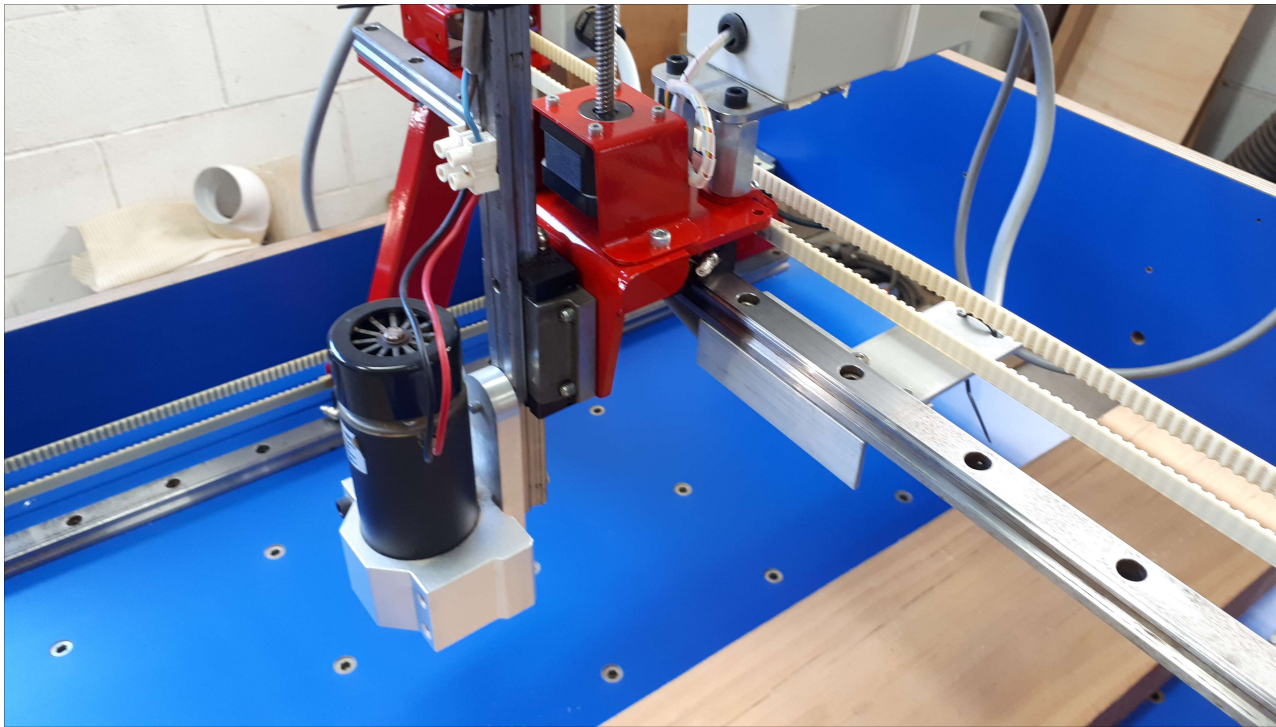
Tetra Motion Surplus Parts

PN 248-38 Motor Mount - suits Nema 17 motors, Stainless steel or one is Blue painted
\$20AUD+gst each

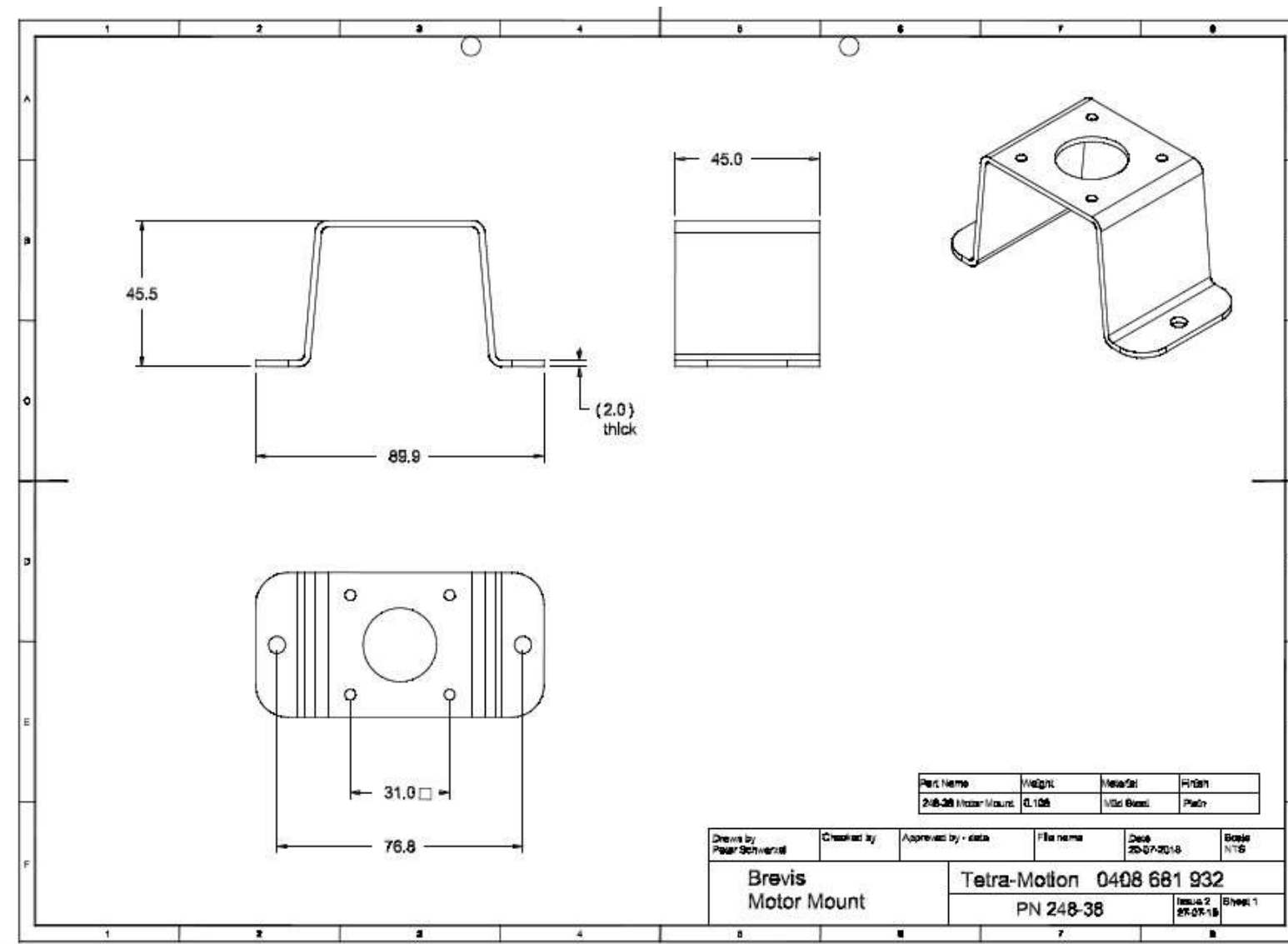
PN 248-27A bearing plate (saddle) - suits flanged 20mm linear rail cars. Red \$40AUD +gst

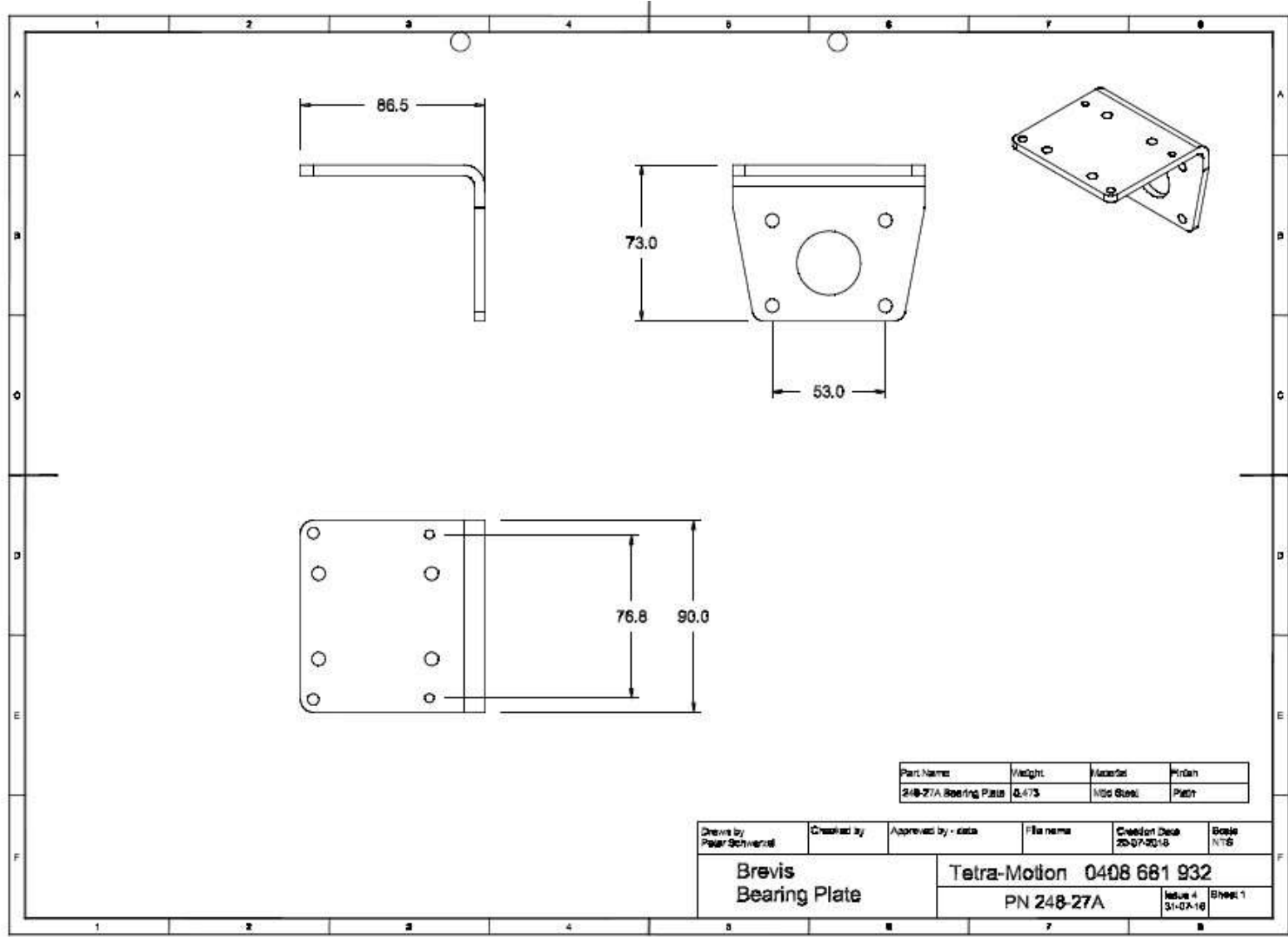
PN 277-114 Bracket – suits Nema23 motor. Allows 16mm glands or grommets to be used for directing cabling. \$36AUD +gst each





parts in use





Part Name	Height	Material	Finish
248-27A Bearing Plate	6.475	100% Steel	Paint

Drawn by	Created by	Approved by - date	File name	Creation Date	Scale
Peter Schwenke				25-07-2016	N1:6
Brevis Bearing Plate			Tetra-Motion 0408 681 932		
			PN 248-27A	Issue 4 31-03-16	Sheet 1

